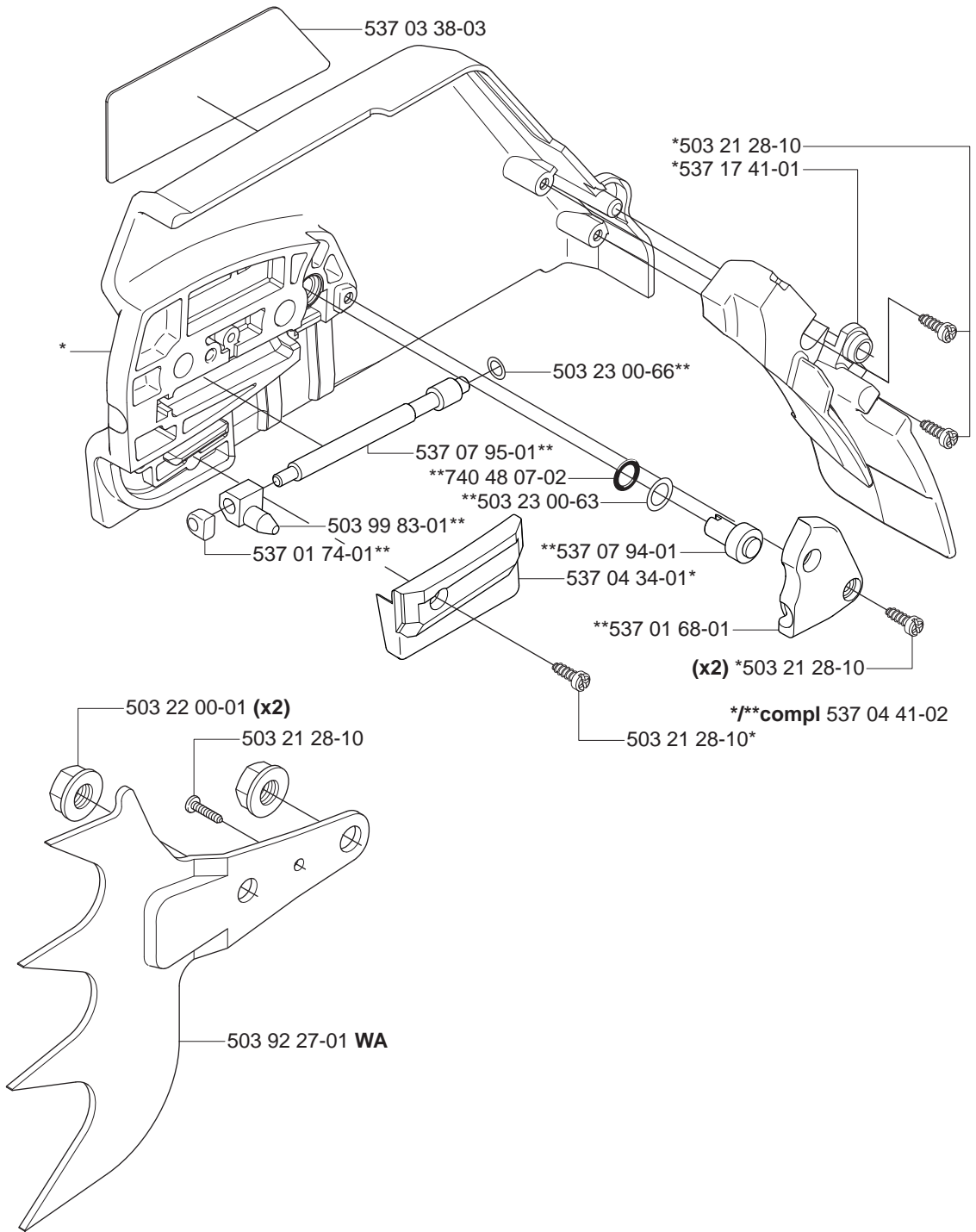


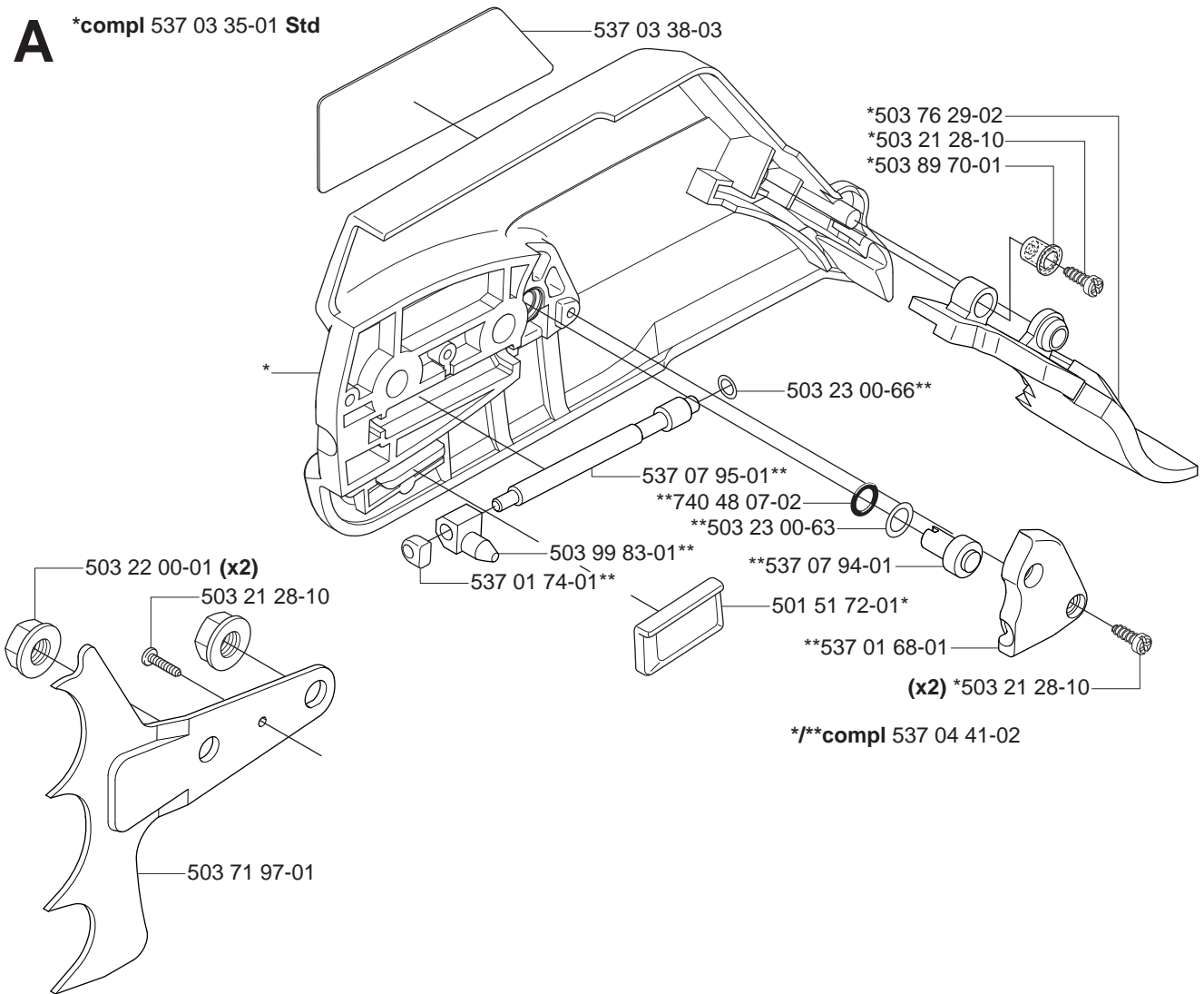
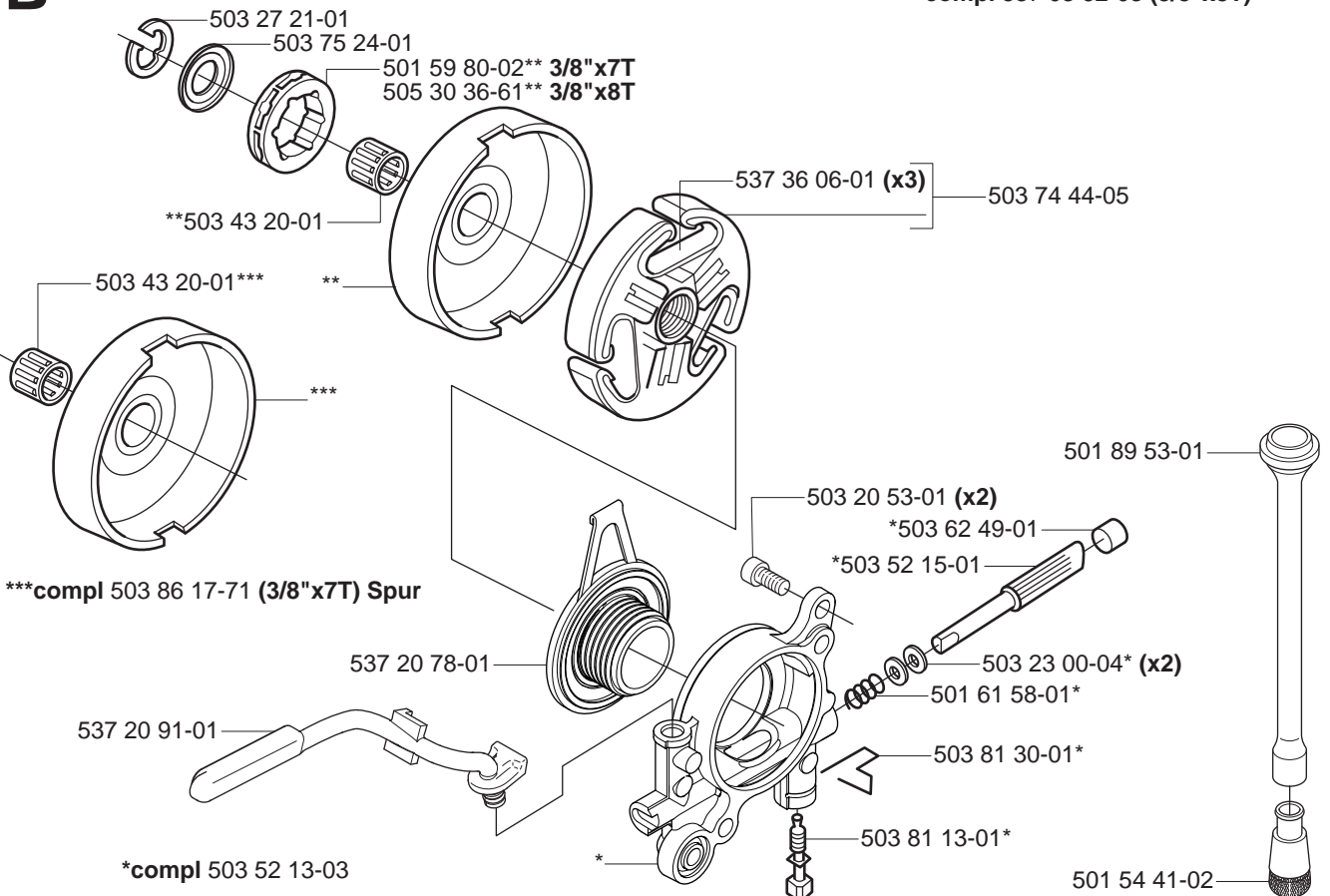
575 XP EPA 570 EPA

Spare parts
Ersatzteile
Pièces détachées
Reserve onderdelen
Repuestos
Reservdelar

A

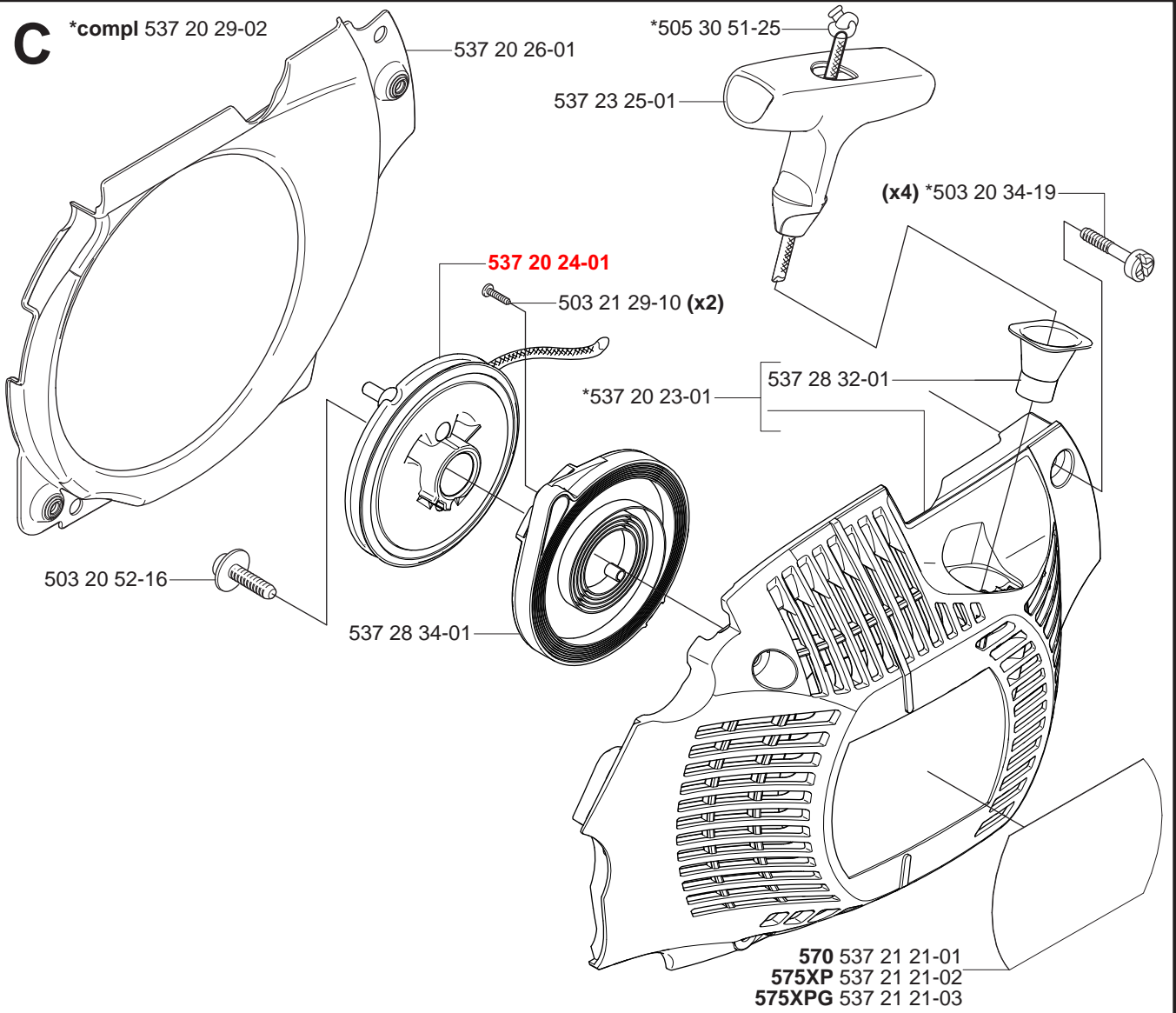
*compl 537 33 10-01 WA



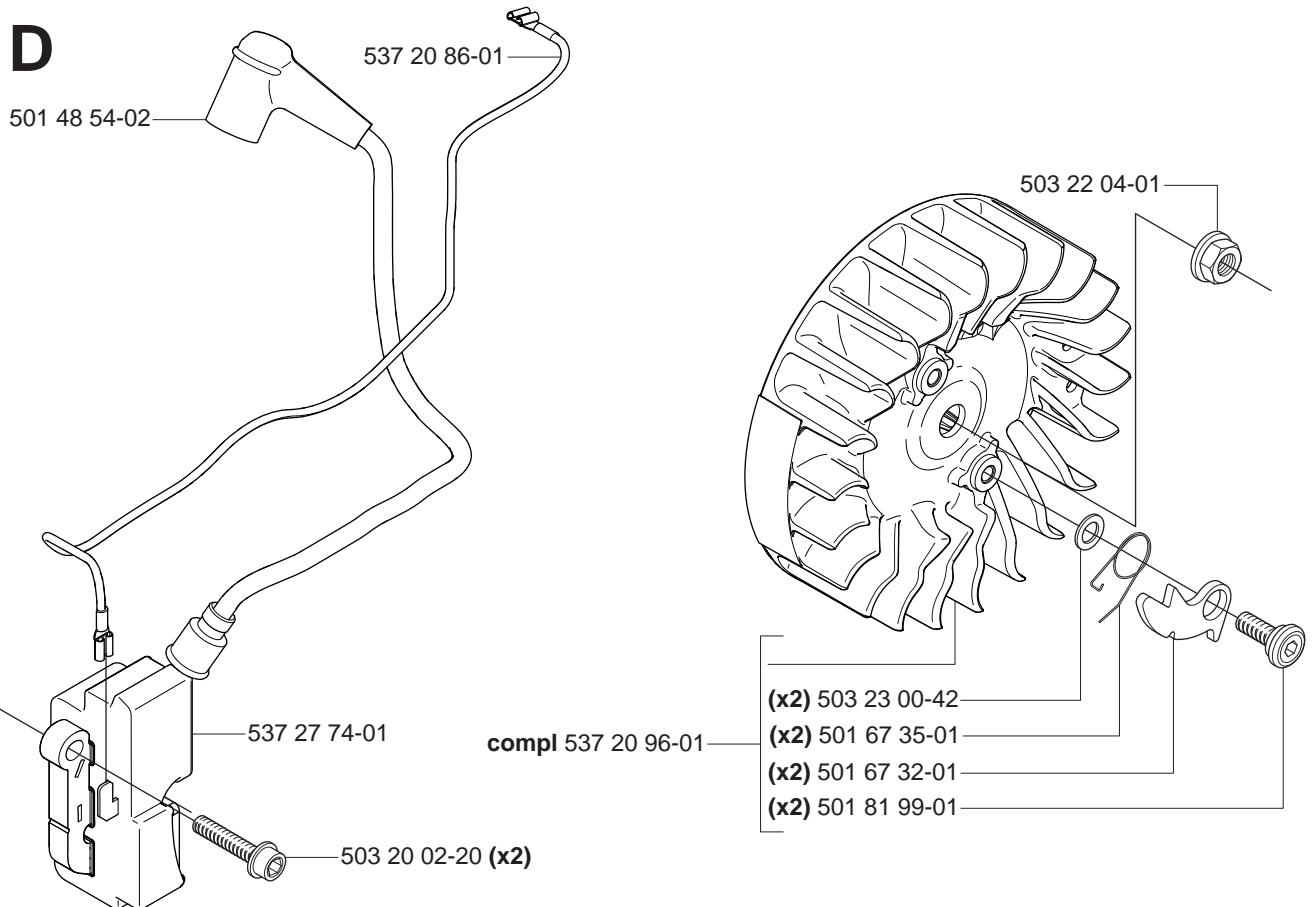
A***compl 537 03 35-01 Std****B******compl 537 03 62-02 (3/8"x7T)**
****compl 537 03 62-03 (3/8"x8T)**

C

*compl 537 20 29-02



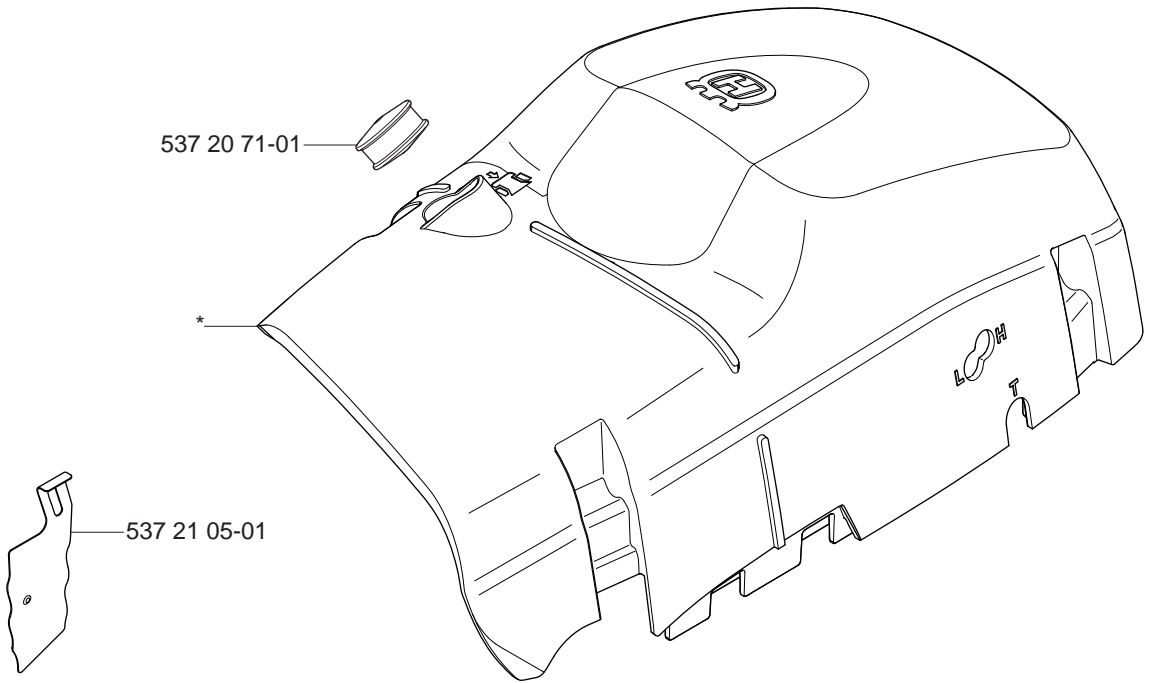
D



E *compl 537 21 25-01



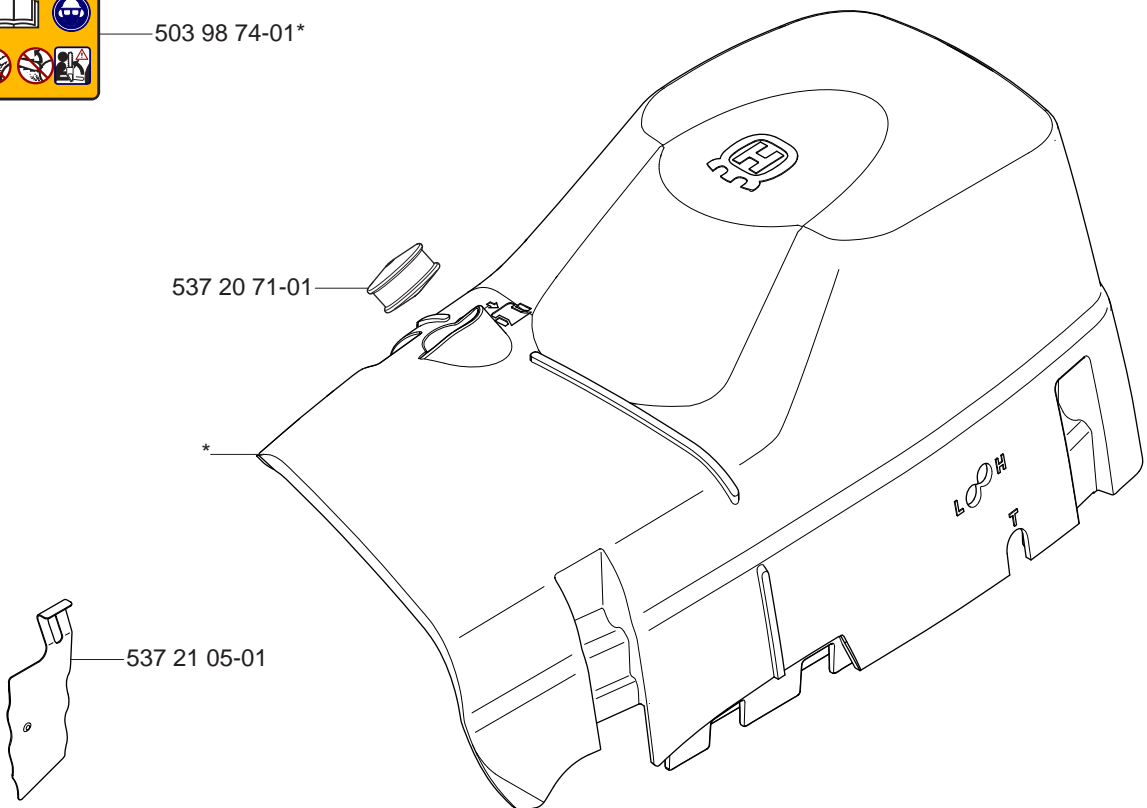
503 98 74-01*



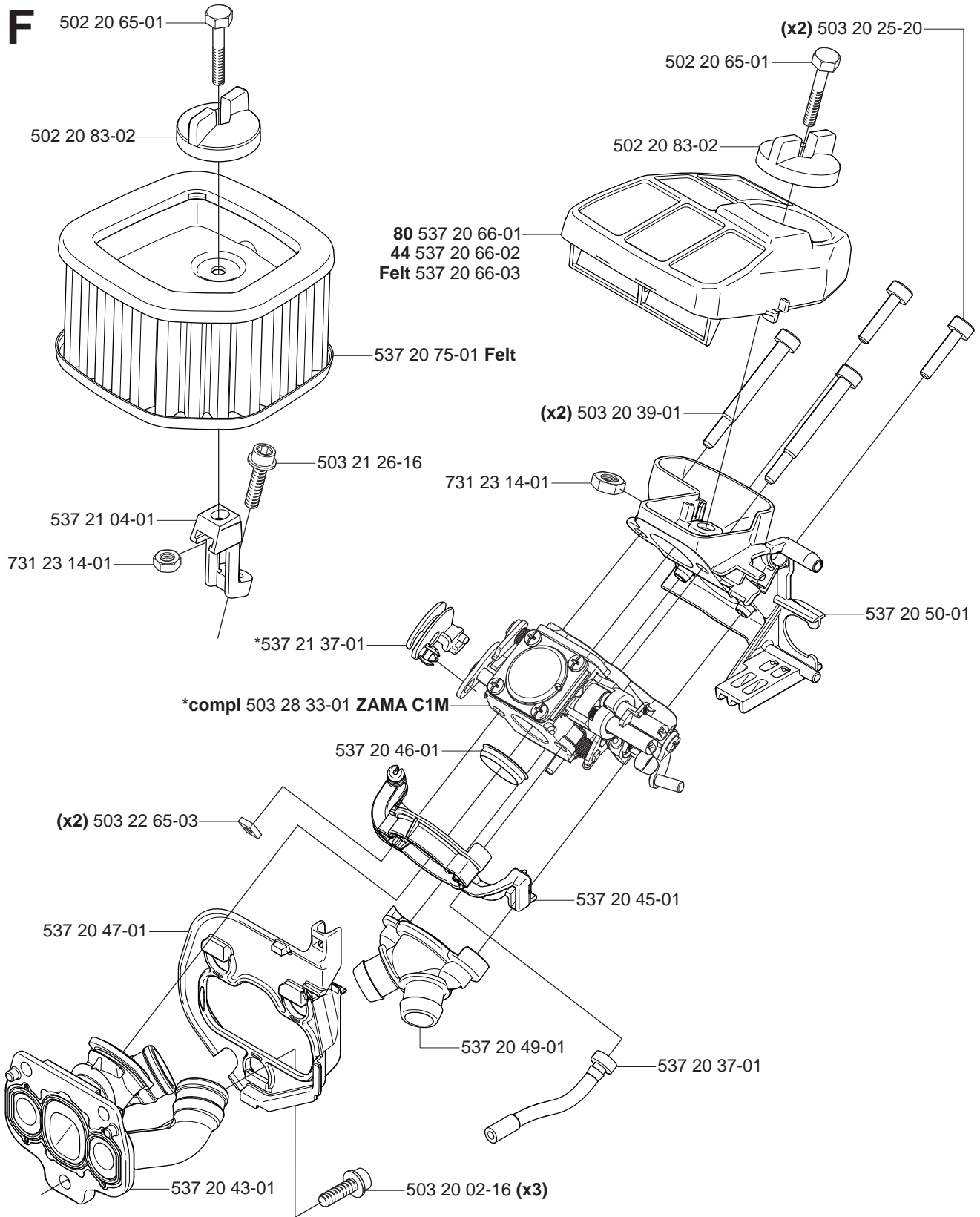
E *compl 537 21 25-02

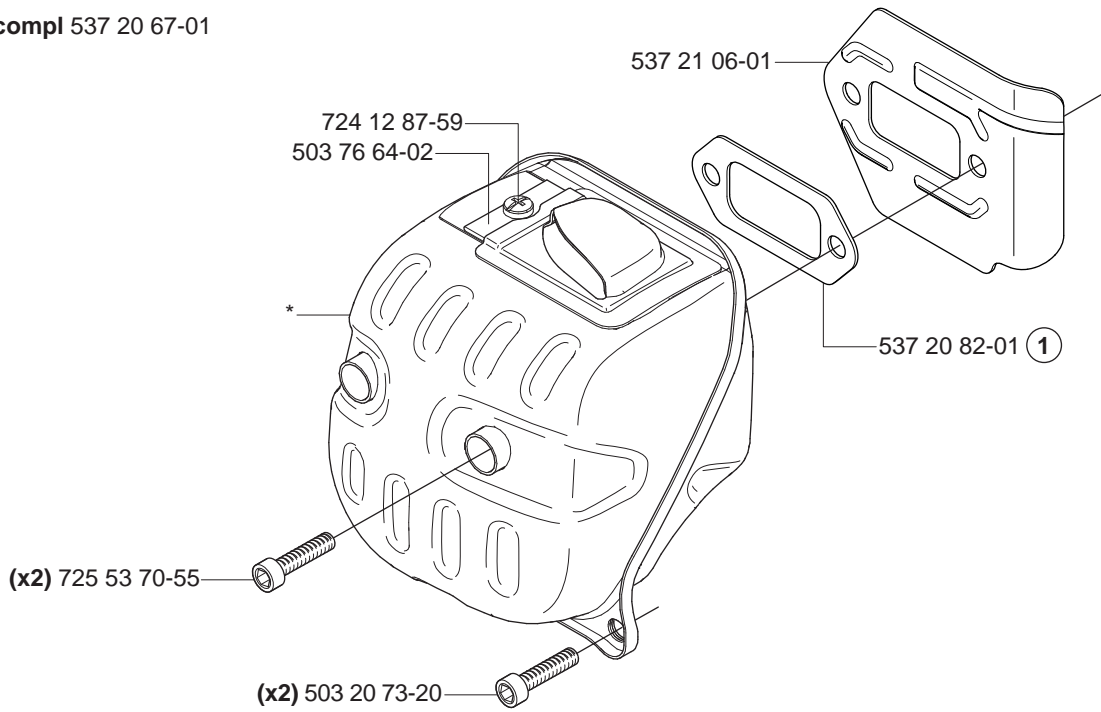
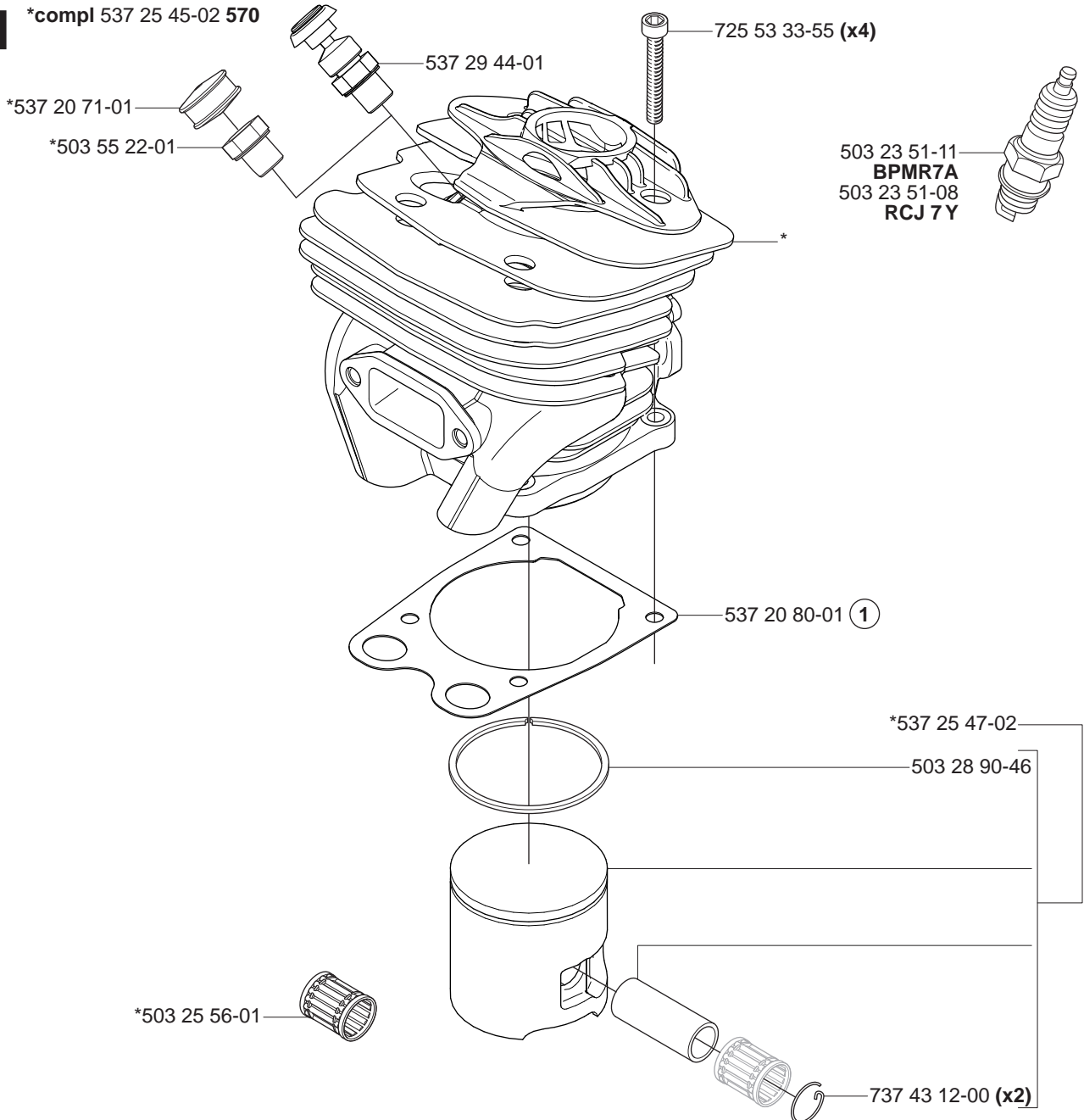


503 98 74-01*



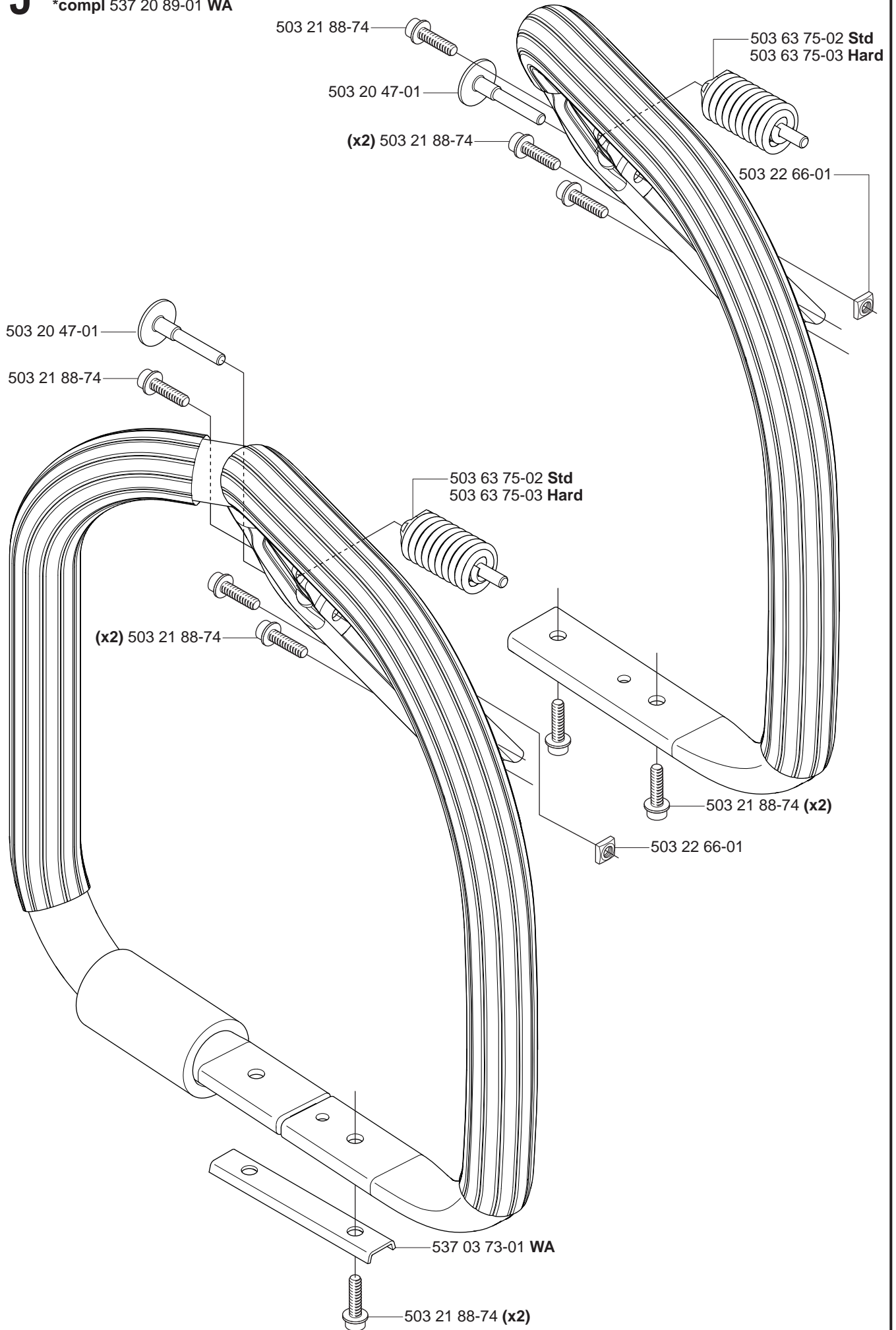
F

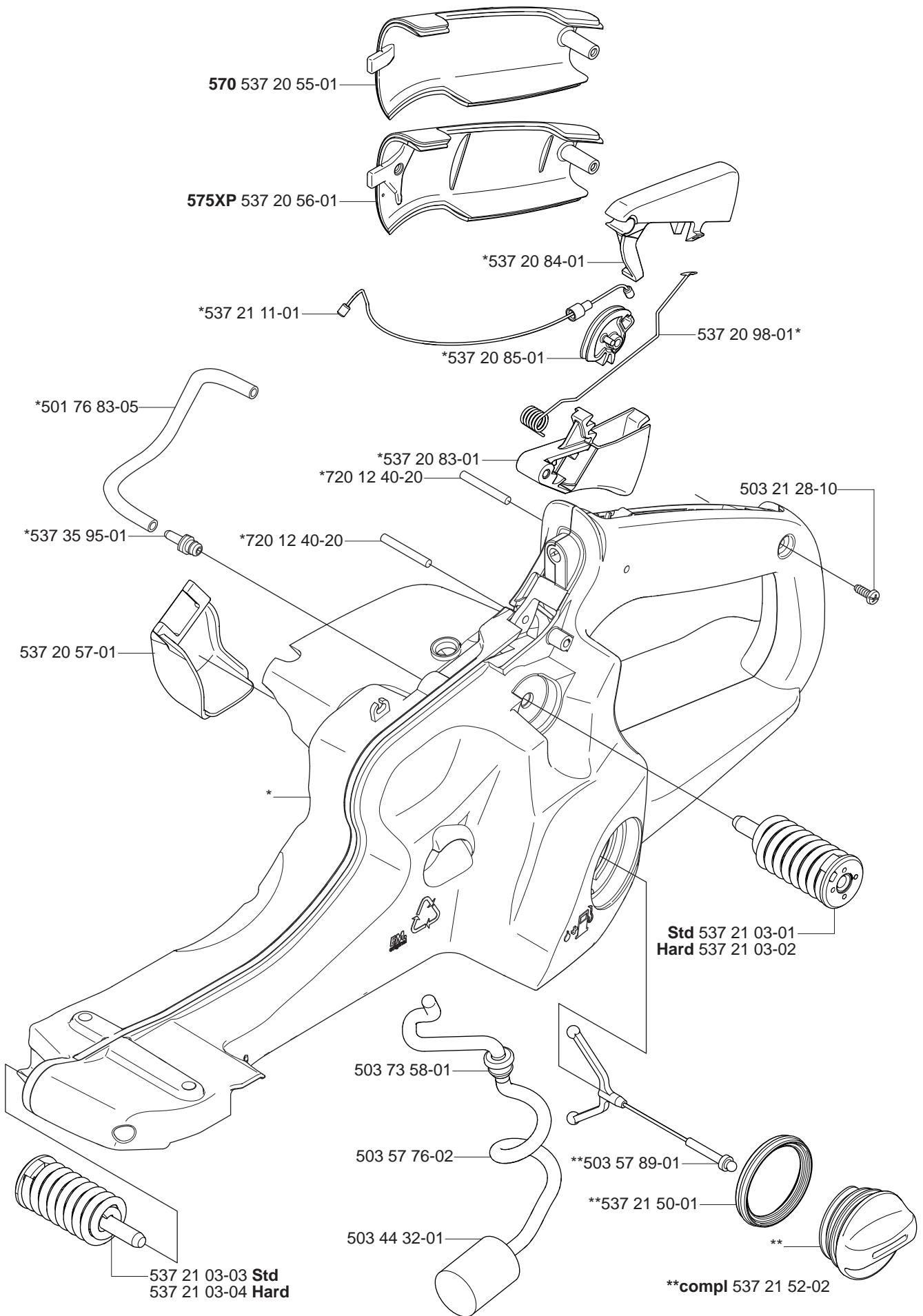


G***compl 537 20 67-01****H*****compl 537 25 45-02 570**

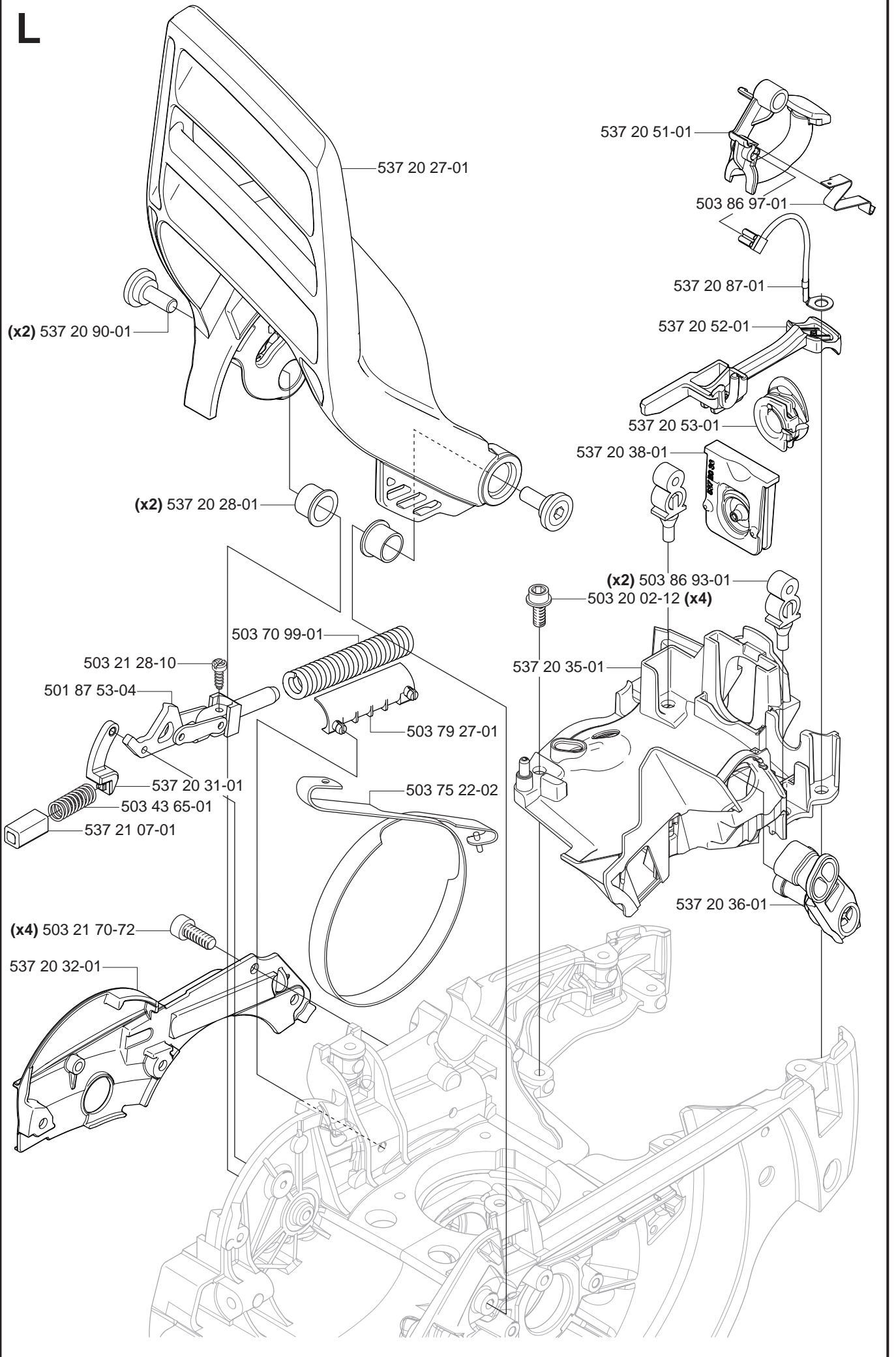
J

*compl 537 20 59-01
*compl 537 20 89-01 WA

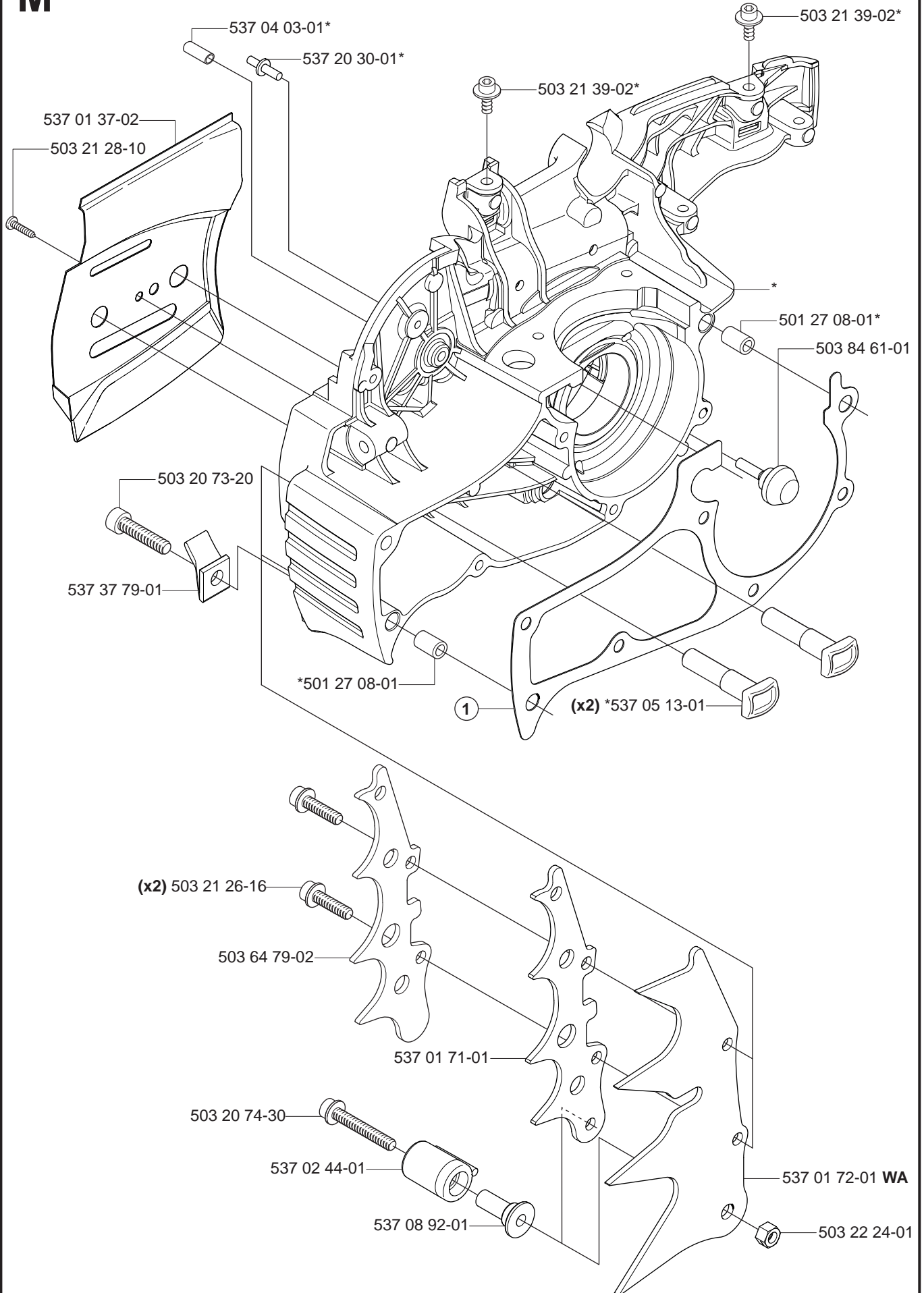


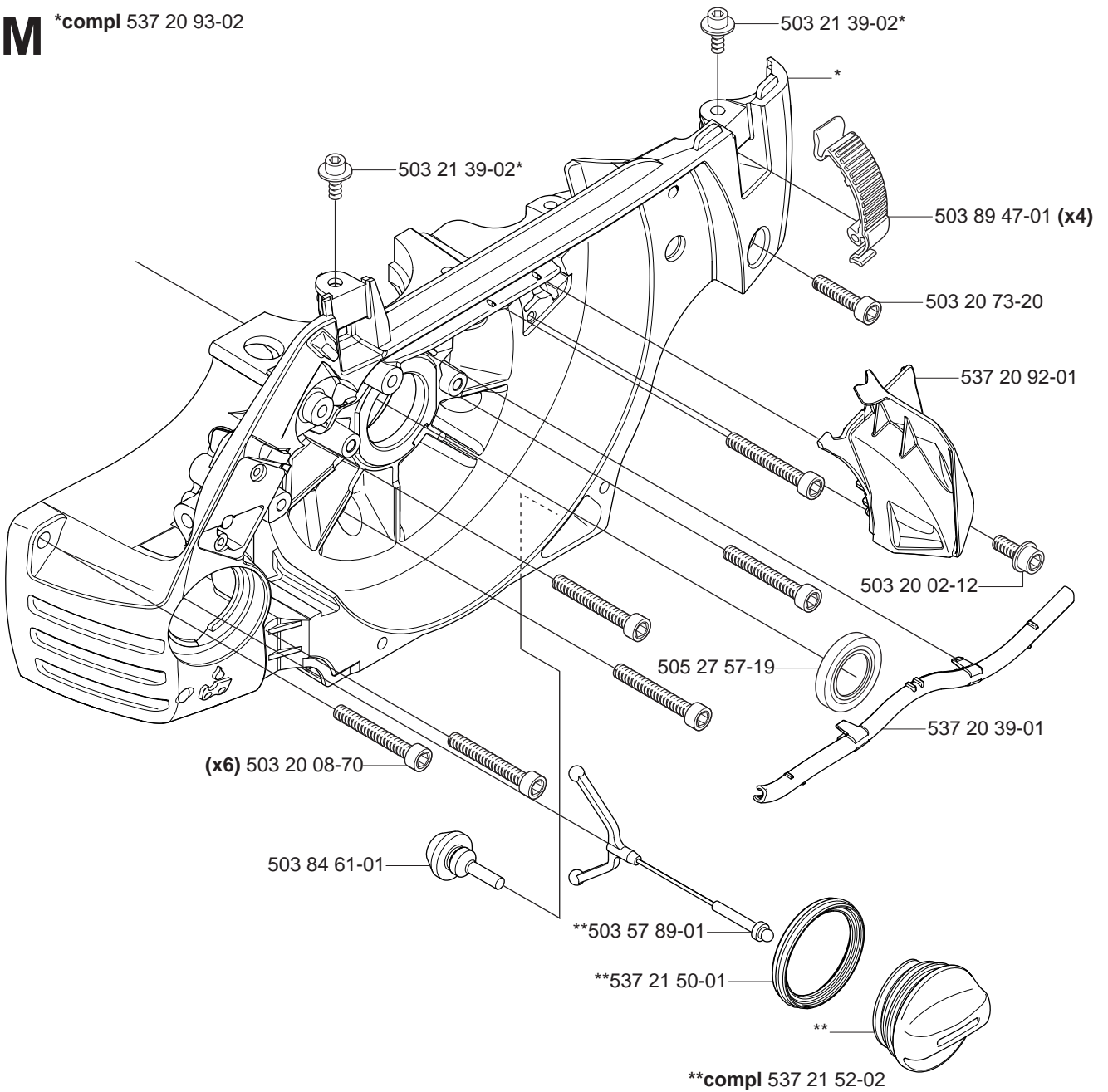
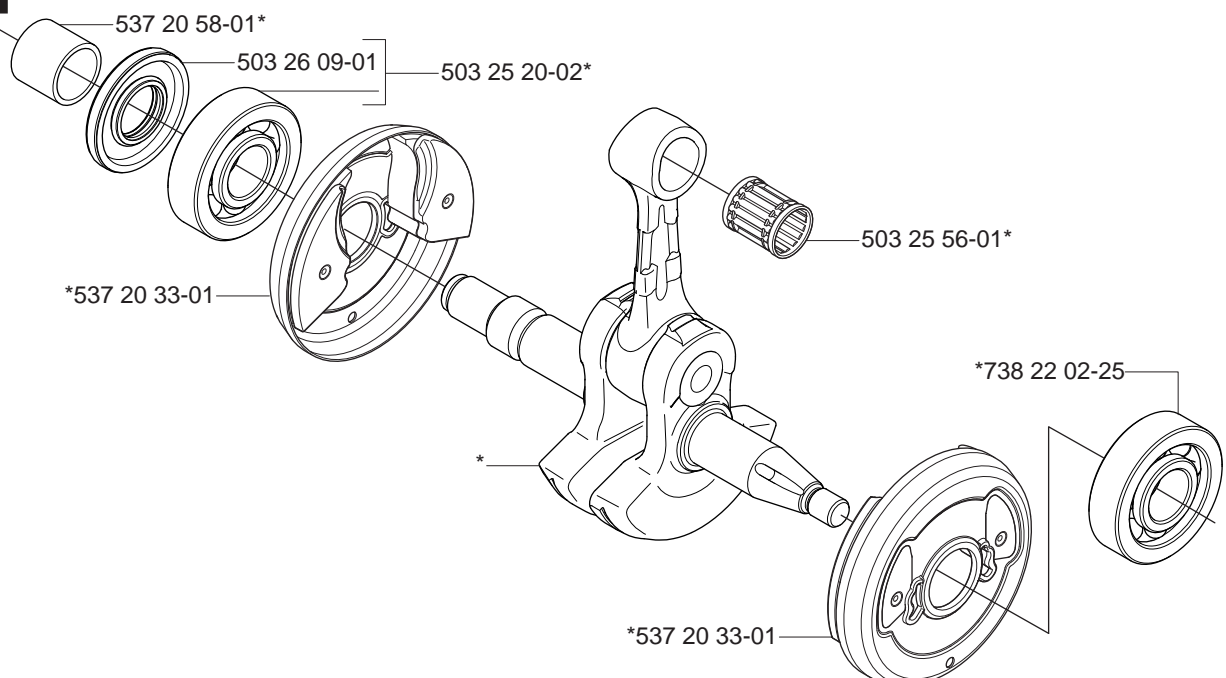


L

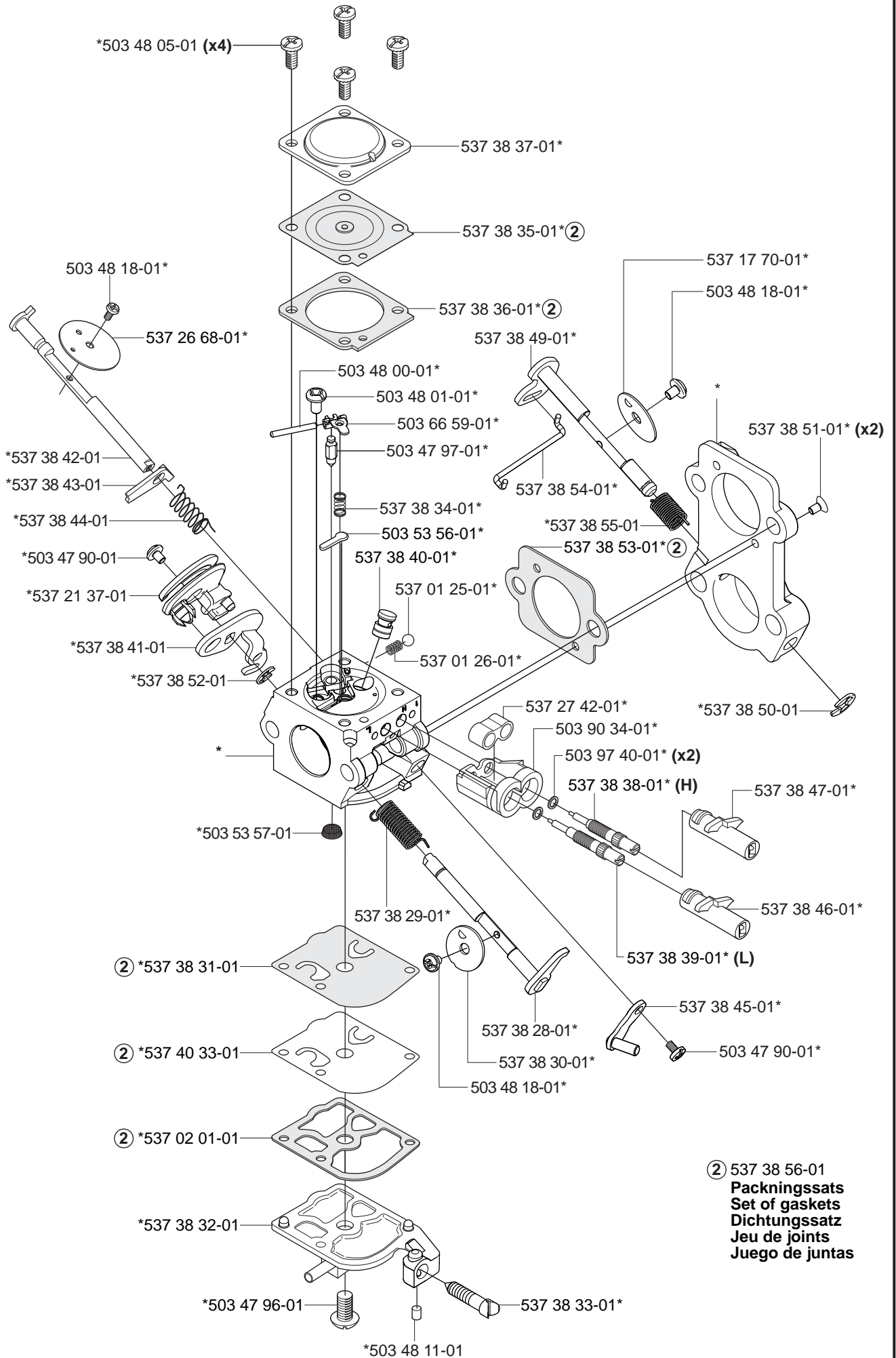


M *compl 537 20 93-02



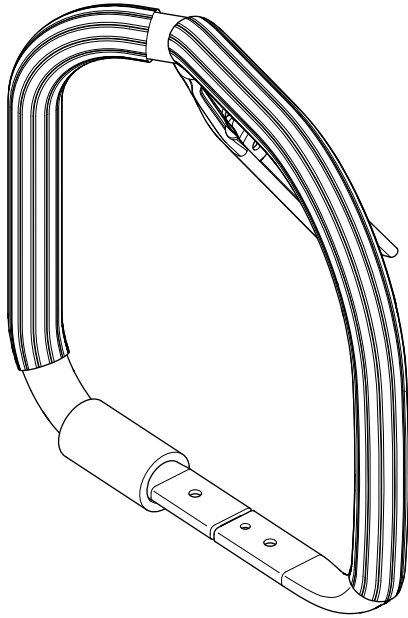
M***compl 537 20 93-02****N*****compl 537 30 61-01**

P



② 537 38 56-01
Packningssats
Set of gaskets
Dichtungssatz
Jeu de joints
Juego de juntas

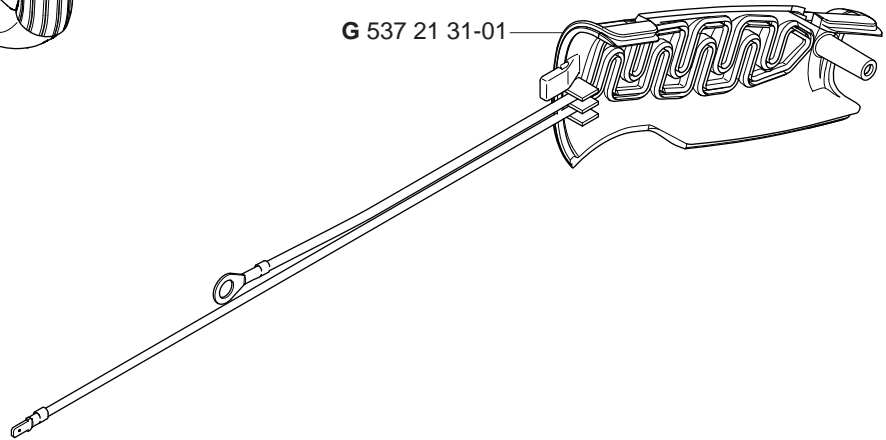
Q



compl 537 20 89-02 WA G



compl 537 20 59-02 G

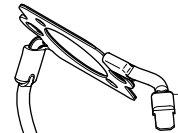
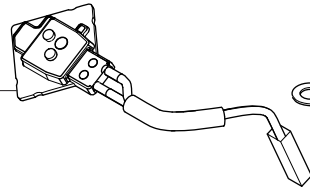


G 537 21 31-01



537 21 08-01

537 21 29-01

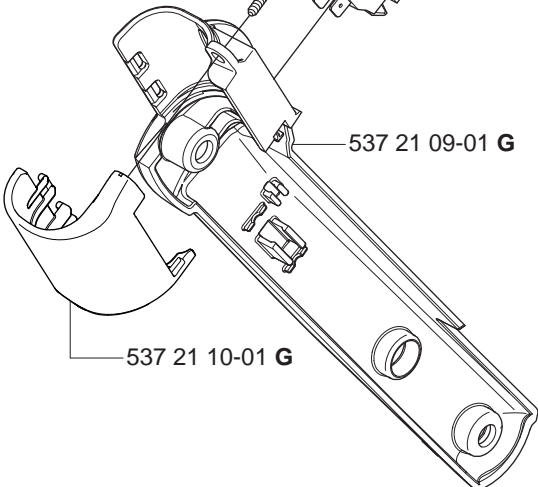


537 21 28-01

G 503 21 28-10

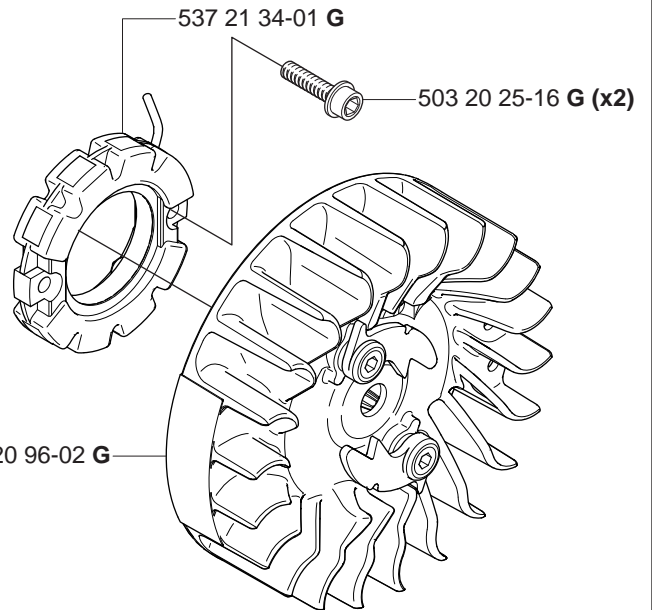


537 13 14-02 G



537 21 09-01 G

537 21 10-01 G

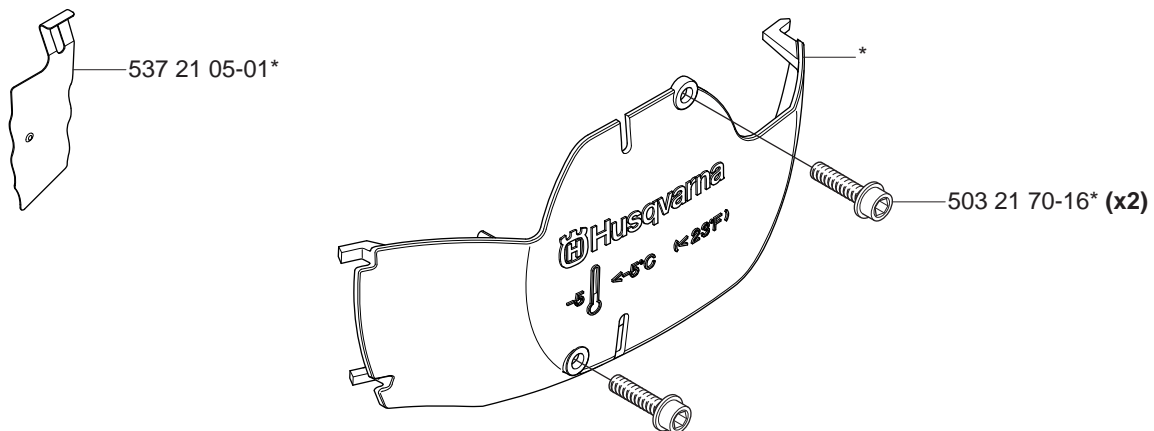


537 21 34-01 G

503 20 25-16 G (x2)

***compl 537 20 96-02 G**

R WINTER KIT
*compl 537 21 24-01



S Tillbehör
Accessories
Zubehöre
Accessoires
Accesorios
*compl 503 55 85-01

